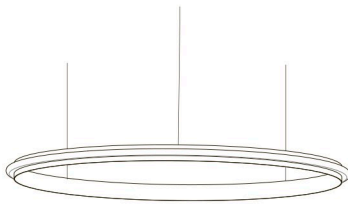


CITADEL COMPOSITION 78 by Jan Pauwels

The circle of light. Versatile rings that allow you to create the composition you like. Thanks to the freedom of number, size, distance and angle between the rings, each installation will be unique. The Citadel with these E10 LED lightbulbs has a different look and feel than the Eclipse.



DIMENSIONS

Ø 78 cm 30,7 inch
H 5 cm 2,0 inch

CABLE LENGTH

Up to 150 cm 59,1 inch

FINISH

Black Brass
Brass
Nickel

TYPE.NR

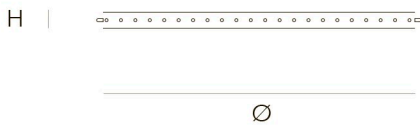
● 11-8280-4E
● 11-8280-2E
● 11-8280-1E

LIGHTSOURCE

44x led E10, 12V/0.33W,
2600K, 1012 LM



1 13 106x106x7cm

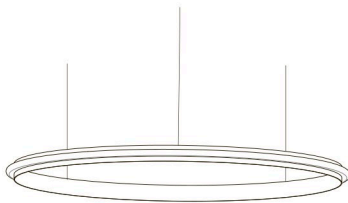


STANDARD The rings are supplied with lamps on the outside. Transparent nickel cable and ceiling fixations but without the driver!

OPTIONAL Double light (lights inside and outside).
3000K or 3500K led.

CITADEL COMPOSITION 89 by Jan Pauwels

The circle of light. Versatile rings that allow you to create the composition you like. Thanks to the freedom of number, size, distance and angle between the rings, each installation will be unique. The Citadel with these E10 LED lightbulbs has a different look and feel than the Eclipse.



DIMENSIONS

Ø 89 cm 35,0 inch
H 5 cm 2,0 inch

CABLE LENGTH

Up to 150 cm 59,1 inch

FINISH

Black Brass
Brass
Nickel

TYPE.NR

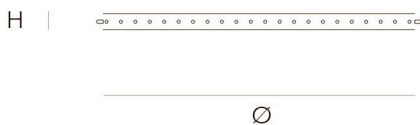
● 11-8281-4E
● 11-8281-2E
● 11-8281-1E

LIGHTSOURCE

52x led E10, 12V/0.33W,
2600K, 1196 LM



1 13 106x106x7cm

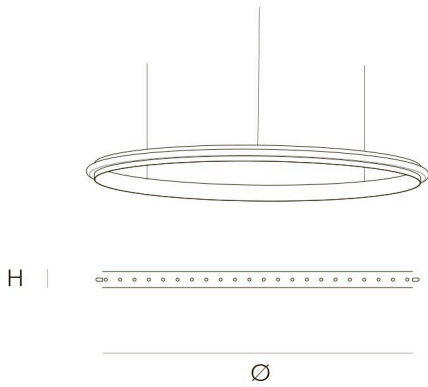


STANDARD The rings are supplied with lamps on the outside. Transparent nickel cable and ceiling fixations but without the driver!

OPTIONAL Double light (lights inside and outside).
3000K or 3500K led.

CITADEL COMPOSITION 100 by Jan Pauwels

The circle of light. Versatile rings that allow you to create the composition you like. Thanks to the freedom of number, size, distance and angle between the rings, each installation will be unique. The Citadel with these E10 LED lightbulbs has a different look and feel than the Eclipse.



DIMENSIONS
 Ø 100 cm 39,4 inch
 H 5 cm 2,0 inch

CABLE LENGTH
 Up to 150 cm 59,1 inch

FINISH **TYPE.NR**
 Black Brass ● 11-8282-4E
 Brass ● 11-8282-2E
 Nickel ● 11-8282-1E

LIGHTSOURCE
 60x led E10, 12V/0,33W,
 2600K, 1380 LM



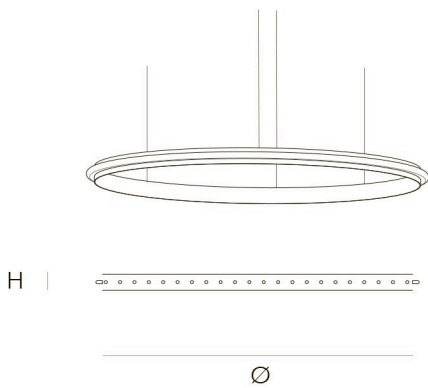
1 13 106x106x7cm

STANDARD The rings are supplied with lamps on the outside. Transparent nickel cable and ceiling fixations but without the driver!

OPTIONAL Double light (lights inside and outside).
 3000K or 3500K led.

CITADEL COMPOSITION 120 by Jan Pauwels

The circle of light. Versatile rings that allow you to create the composition you like. Thanks to the freedom of number, size, distance and angle between the rings, each installation will be unique. The Citadel with these E10 LED lightbulbs has a different look and feel than the Eclipse.



DIMENSIONS
 Ø 120 cm 47,2 inch
 H 5 cm 2,0 inch

CABLE LENGTH
 Up to 150 cm 59,1 inch

FINISH **TYPE.NR**
 Black Brass ● 11-8283-4E
 Brass ● 11-8283-2E
 Nickel ● 11-8283-1E

LIGHTSOURCE
 75x led E10, 12V/0,33W,
 2600K, 1725 LM



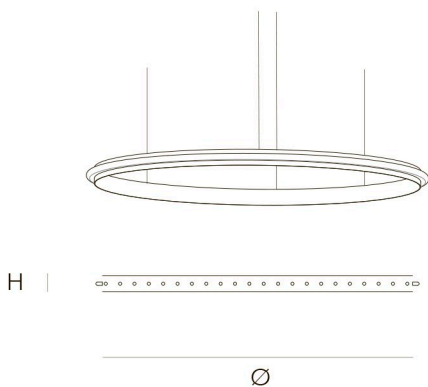
2 17 126x126x7cm

STANDARD The rings are supplied with lamps on the outside. Transparent nickel cable and ceiling fixations but without the driver!

OPTIONAL 3000K or 3500K led.

CITADEL COMPOSITION 140 by Jan Pauwels

The circle of light. Versatile rings that allow you to create the composition you like. Thanks to the freedom of number, size, distance and angle between the rings, each installation will be unique. The Citadel with these E10 LED lightbulbs has a different look and feel than the Eclipse.



DIMENSIONS
 Ø 140 cm 55,1 inch
 H 5 cm 2,0 inch

CABLE LENGTH
 Up to 150 cm 59,1 inch

FINISH **TYPE.NR**
 Black Brass ● 11-8284-4E
 Brass ● 11-8284-2E
 Nickel ● 11-8284-1E

LIGHTSOURCE
 88x led E10, 12V/0,33W,
 2600K, 2024 LM



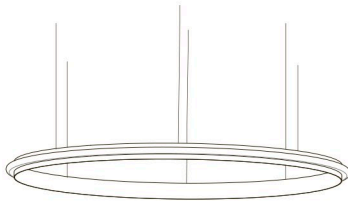
2 17 146x146x7cm

STANDARD The rings are supplied with lamps on the outside. Transparent nickel cable and ceiling fixations but without the driver!

OPTIONAL 3000K or 3500K led.

CITADEL COMPOSITION 160 by Jan Pauwels

The circle of light. Versatile rings that allow you to create the composition you like. Thanks to the freedom of number, size, distance and angle between the rings, each installation will be unique. The Citadel with these E10 LED lightbulbs has a different look and feel than the Eclipse.



DIMENSIONS

Ø 160 cm 63,0 inch
H 5 cm 2,0 inch

CABLE LENGTH

Up to 150 cm 59,1 inch

FINISH

Black Brass

TYPE.NR

● 11-8285-4E

Brass

● 11-8285-2E

Nickel

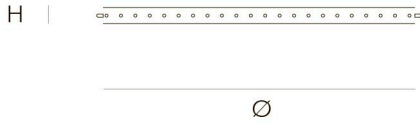
● 11-8285-1E

LIGHTSOURCE

100x led E10, 12V/0,33W,
2600K, 2300 LM



3 21 166x166x7cm

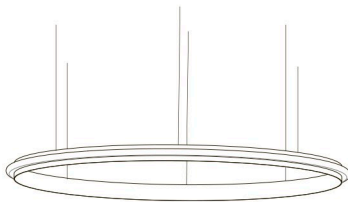


STANDARD The rings are supplied with lamps on the outside. Transparent nickel cable and ceiling fixations but without the driver!

OPTIONAL 3000K or 3500K led.

CITADEL COMPOSITION 180 by Jan Pauwels

The circle of light. Versatile rings that allow you to create the composition you like. Thanks to the freedom of number, size, distance and angle between the rings, each installation will be unique. The Citadel with these E10 LED lightbulbs has a different look and feel than the Eclipse.



DIMENSIONS

Ø 180 cm 70,9 inch
H 5 cm 2,0 inch

CABLE LENGTH

Up to 150 cm 59,1 inch

FINISH

Black Brass

TYPE.NR

● 11-8279-4E

Brass

● 11-8279-2E

Nickel

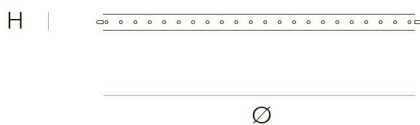
● 11-8279-1E

LIGHTSOURCE

113x led E10, 12V/0,33W,
2600K, 2599 LM



3 21 186x186x7cm

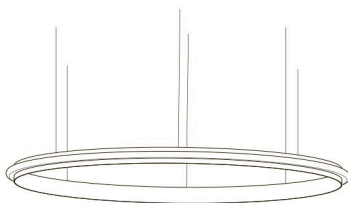


STANDARD The rings are supplied with lamps on the outside. Transparent nickel cable and ceiling fixations but without the driver!

OPTIONAL 3000K or 3500K led.

CITADEL COMPOSITION 200 by Jan Pauwels

The circle of light. Versatile rings that allow you to create the composition you like. Thanks to the freedom of number, size, distance and angle between the rings, each installation will be unique. The Citadel with these E10 LED lightbulbs has a different look and feel than the Eclipse.



DIMENSIONS

Ø 200 cm 78,7 inch
H 5 cm 2,0 inch

CABLE LENGTH

Up to 150 cm 59,1 inch

FINISH

Black Brass

TYPE.NR

● 11-8278-4E

Brass

● 11-8278-2E

Nickel

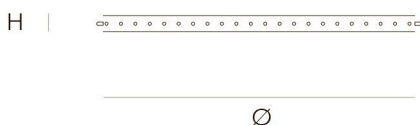
● 11-8278-1E

LIGHTSOURCE

126x led E10, 12V/0,33W,
2600K, 2898 LM



4 24 206x206x7cm

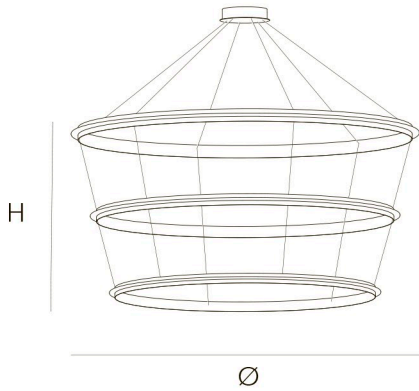


STANDARD The rings are supplied with lamps on the outside. Transparent nickel cable and ceiling fixations but without the driver!

OPTIONAL 3000K or 3500K led.

CITADEL COMPOSITION SET 100, 89, 78 WITH DRIVER 60W by Jan Pauwels

The circle of light. Versatile rings that allow you to create the composition you like. Thanks to the freedom of number, size, distance and angle between the rings, each installation will be unique. The Citadel with these E10 LED lightbulbs has a different look and feel than the Eclipse.



DIMENSIONS		CABLE LENGTH		FINISH		TYPE.NR	
Ø	100 cm 39,4 inch	Up to	150 cm 59,1 inch	Black Brass	●		
CANOPY		LIGHTSOURCE		Brass		●	
Ø	25 cm 9,8 inch	156x led E10, 12V/0.33W,		Nickel		●	
H	5 cm 2,0 inch	2600K, 3588 LM					

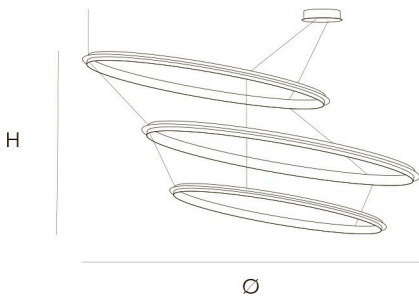


3	15	106x106x7cm
1,5	2	34x34x17cm

STANDARD The rings are supplied with lamps on the outside. Transparent nickel cable and ceiling fixations.
OPTIONAL 3000K or 3500K led.

CITADEL COMPOSITION SET 78, 89, 100 WITH DRIVER 60W by Jan Pauwels

The circle of light. Versatile rings that allow you to create the composition you like. Thanks to the freedom of number, size, distance and angle between the rings, each installation will be unique. The Citadel with these E10 LED lightbulbs has a different look and feel than the Eclipse.



DIMENSIONS		CABLE LENGTH		FINISH		TYPE.NR	
Ø	100 cm 39,4 inch	Up to	150 cm 59,1 inch	Black Brass	●		
CANOPY		LIGHTSOURCE		Brass		●	
Ø	20 cm 7,9 inch	156x led E10, 12V/0.33W,		Nickel		●	
H	7,5 cm 3,0 inch	2600K, 3588 LM					

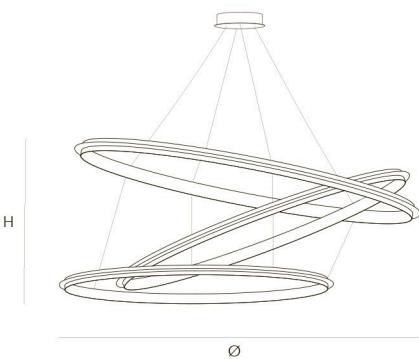


3	15	106x106x7cm
1,5	2	34x34x17cm

STANDARD The rings are supplied with lamps on the outside. Transparent nickel cable and ceiling fixations.
OPTIONAL 3000K or 3500K led.

CITADEL COMPOSITION SET 200, 160, 120 WITH DRIVER 100W by Jan Pauwels

The circle of light. Versatile rings that allow you to create the composition you like. Thanks to the freedom of number, size, distance and angle between the rings, each installation will be unique. The Citadel with these E10 LED lightbulbs has a different look and feel than the Eclipse.



DIMENSIONS		CABLE LENGTH		FINISH		TYPE.NR	
Ø	200 cm 78,7 inch	Up to	150 cm 59,1 inch	Black Brass	●		
CANOPY		LIGHTSOURCE		Brass		●	
Ø	30 cm 11,8 inch	301x led E10, 12V/0.33W,		Nickel		●	
H	5,0 cm 2,0 inch	2600K, 6923 LM					

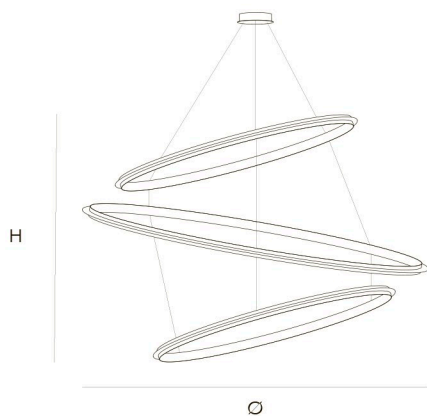


9	33	206x206x7cm
2,5	3	34x34x17cm

STANDARD The rings are supplied with lamps on the outside. Transparent nickel cable and ceiling fixations.
OPTIONAL 3000K or 3500K led.

CITADEL COMPOSITION SET 100, 140, 100 WITH DRIVER 100W by Jan Pauwels

The circle of light. Versatile rings that allow you to create the composition you like. Thanks to the freedom of number, size, distance and angle between the rings, each installation will be unique. The Citadel with these E10 LED lightbulbs has a different look and feel than the Eclipse.



DIMENSIONS		CABLE LENGTH		FINISH	TYPE.NR
Ø	140 cm 55,1 inch	Up to 150 cm	59,1 inch	Black Brass	●
CANOPY		LIGHTSOURCE		Brass	●
Ø	30 cm 11,8 inch	208x led E10, 12V/0.33W,		Nickel	●
H	5,0 cm 2,0 inch	2600K, 4784 LM			



1	13	106x106x7cm
2	17	146x146x7cm
2,5	3	34x34x17cm

STANDARD The rings are supplied with lamps on the outside. Transparent nickel cable and ceiling fixations.
OPTIONAL 3000K or 3500K led.

CITADEL COMPOSITION SET 160, 100, 120, 100, 78 WITH DRIVER 200W by Jan Pauwels

The circle of light. Versatile rings that allow you to create the composition you like. Thanks to the freedom of number, size, distance and angle between the rings, each installation will be unique. The Citadel with these E10 LED lightbulbs has a different look and feel than the Eclipse.



DIMENSIONS		CABLE LENGTH		FINISH	TYPE.NR
Ø	160 cm 63,0 inch	Up to 150 cm	59,1 inch	Black Brass	●
CANOPY		LIGHTSOURCE		Brass	●
Ø	35 cm 13,8 inch	339x led E10, 12V/0.33W,		Nickel	●
H	6,5 cm 2,6 inch	2600K, 7797 LM			

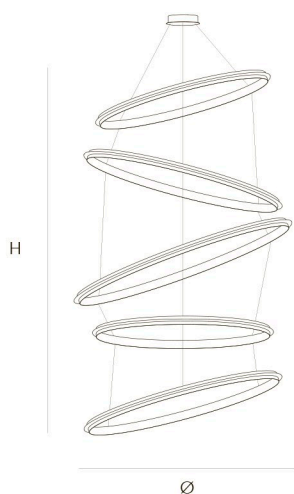


1	13	106x106x7cm
3	21	166x166x7cm
2,5	3	34x34x17cm

STANDARD The rings are supplied with lamps on the outside. Transparent nickel cable and ceiling fixations.
OPTIONAL 3000K or 3500K led.

CITADEL COMPOSITION SET 78, 89, 100, 78, 89 WITH DRIVER 100W by Jan Pauwels

The circle of light. Versatile rings that allow you to create the composition you like. Thanks to the freedom of number, size, distance and angle between the rings, each installation will be unique. The Citadel with these E10 LED lightbulbs has a different look and feel than the Eclipse.



DIMENSIONS		CABLE LENGTH		FINISH	TYPE.NR
Ø	100 cm 39,4 inch	Up to 150 cm	59,1 inch	Black Brass	●
CANOPY		LIGHTSOURCE		Brass	●
Ø	30 cm 11,8 inch	252x led E10, 12V/0.33W,		Nickel	●
H	5,0 cm 2,0 inch	2600K, 5796 LM			



6	30	2x 106x106x7cm
2,5	4	34x34x17cm

STANDARD The rings are supplied with lamps on the outside. Transparent nickel cable and ceiling fixations.
OPTIONAL 3000K or 3500K led.

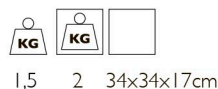
CITADEL COMPOSITION DRIVER 30W by Jan Pauwels

Pay attention of ordering one of these drivers to complete the order of Citadel rings.



CANOPY
Ø 20 cm 7,9 inch
H 5,0 cm 2,0 inch

CABLE LENGTH
Up to 150 cm 59,1 inch



FINISH TYPE.NR
Black Brass ● 11-8273-4
Brass ● 11-8273
Nickel ● 11-8273-1

STANDARD The driver is supplied with transparent power cables to the first ring. Black canopy with cover plate in matching colour of the fixture. Leading and trailing edge dimmable.

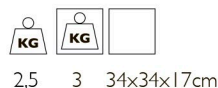
CITADEL COMPOSITION DRIVER 60W by Jan Pauwels

Pay attention of ordering one of these drivers to complete the order of Citadel rings.



CANOPY
Ø 25 cm 9,8 inch
H 5,0 cm 2,0 inch

CABLE LENGTH
Up to 150 cm 59,1 inch



FINISH TYPE.NR
Black Brass ● 11-8274-4
Brass ● 11-8274
Nickel ● 11-8274-1

STANDARD The driver is supplied with transparent power cables to the first ring. Black canopy with cover plate in matching colour of the fixture. Leading and trailing edge dimmable.

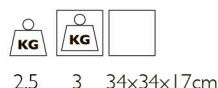
CITADEL COMPOSITION DRIVER 100W by Jan Pauwels

Pay attention of ordering one of these drivers to complete the order of Citadel rings.



CANOPY
Ø 30 cm 11,8 inch
H 5,0 cm 2,0 inch

CABLE LENGTH
Up to 150 cm 59,1 inch



FINISH TYPE.NR
Black Brass ● 11-8275-4
Brass ● 11-8275
Nickel ● 11-8275-1

STANDARD The driver is supplied with transparent power cables to the first ring. Black canopy with cover plate in matching colour of the fixture. Leading and trailing edge dimmable.

CITADEL COMPOSITION DRIVER 200W by Jan Pauwes

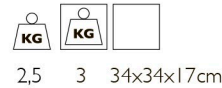
Pay attention of ordering one of these drivers to complete the order of Citadel rings.



CANOPY
 Ø 35,5 cm 14,0 inch
 H 6,5 cm 2,6 inch

CABLE LENGTH
 Up to 150 cm 59,1 inch

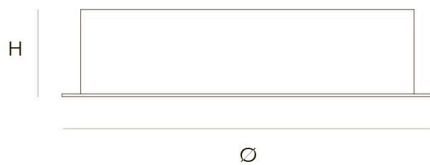
FINISH TYPE.NR
 Black Brass ● 11-8276-4
 Brass ● 11-8276
 Nickel ● 11-8276-1



STANDARD The driver is supplied with transparent power cables to the first ring. Black canopy with cover plate in matching colour of the fixture. Leading and trailing edge dimmable.

CITADEL COMPOSITION DRIVER 300W by Jan Pauwes

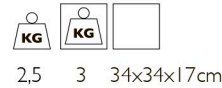
Pay attention of ordering one of these drivers to complete the order of Citadel rings.



CANOPY
 Ø 35,5 cm 14,0 inch
 H 8,5 cm 3,3 inch

CABLE LENGTH
 Up to 150 cm 59,1 inch

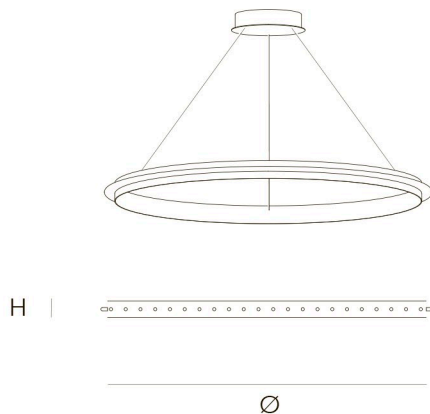
FINISH TYPE.NR
 Black Brass ● 11-8272-4
 Brass ● 11-8272
 Nickel ● 11-8272-1



STANDARD The driver is supplied with transparent power cables to the first ring. Black canopy with cover plate in matching colour of the fixture. Leading and trailing edge dimmable.

CITADEL SINGLE 78 by Jan Pauwes

The circle of light. Versatile rings that allow you to create the composition you like. Thanks to the freedom of number, size, distance and angle between the rings, each installation will be unique. The Citadel with these E10 LED lightbulbs has a different look and feel than the Eclipse. The easy to order single version of Citadel. During installation you can choose whether the rings will be perfectly horizontal or in a more inclined way. The suspension cables will also pass the current. Leading and trailing edge dimmable



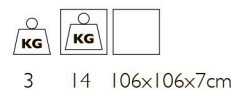
DIMENSIONS
 Ø 78 cm 30,7 inch
 H 5 cm 2,0 inch

CABLE LENGTH
 Up to 150 cm 59,1 inch

FINISH TYPE.NR
 Black Brass ● 11-9000-4E
 Brass ● 11-9000-2E
 Nickel ● 11-9000-1E

CANOPY
 Ø 20 cm 7,9 inch
 H 5 cm 2,0 inch

LIGHTSOURCE
 44x led E10, 12V/0.33W,
 2600K, 1012 LM

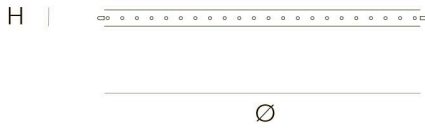


STANDARD The rings are supplied with lamps on the outside. Transparent cable and black canopy with matching cover plate with the fixture. Leading and trailing edge dimmable

OPTIONAL 3000K or 3500K led.

CITADEL SINGLE 89 by Jan Pauwels

The circle of light. Versatile rings that allow you to create the composition you like. Thanks to the freedom of number, size, distance and angle between the rings, each installation will be unique. The Citadel with these E10 LED lightbulbs has a different look and feel than the Eclipse. The easy to order single version of Citadel. During installation you can choose whether the rings will be perfectly horizontal or in a more inclined way. The suspension cables will also pass the current. Leading and trailing edge dimmable



DIMENSIONS

Ø 89 cm 35,0 inch
H 5 cm 2,0 inch

CANOPY

Ø 20 cm 7,9 inch
H 5 cm 2,0 inch

CABLE LENGTH

Up to 150 cm 59,1 inch

LIGHTSOURCE

52x led E10, 12V/0.33W,
2600K, 1196 LM

FINISH

Black Brass
Brass
Nickel

TYPE.NR

● 11-9001-4E
● 11-9001-2E
● 11-9001-1E



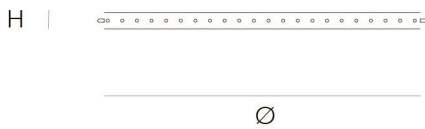
3 14 106x106x7cm

STANDARD The rings are supplied with lamps on the outside. Transparent cable and black canopy with matching cover plate with the fixture. Leading and trailing edge dimmable

OPTIONAL 3000K or 3500K led.

CITADEL SINGLE 100 by Jan Pauwels

The circle of light. Versatile rings that allow you to create the composition you like. Thanks to the freedom of number, size, distance and angle between the rings, each installation will be unique. The Citadel with these E10 LED lightbulbs has a different look and feel than the Eclipse. The easy to order single version of Citadel. During installation you can choose whether the rings will be perfectly horizontal or in a more inclined way. The suspension cables will also pass the current. Leading and trailing edge dimmable



DIMENSIONS

Ø 100 cm 39,4 inch
H 5 cm 2,0 inch

CANOPY

Ø 20 cm 7,9 inch
H 5 cm 2,0 inch

CABLE LENGTH

Up to 150 cm 59,1 inch

LIGHTSOURCE

60x led E10, 12V/0.33W,
2600K, 1380 LM

FINISH

Black Brass
Brass
Nickel

TYPE.NR

● 11-9002-4E
● 11-9002-2E
● 11-9002-1E



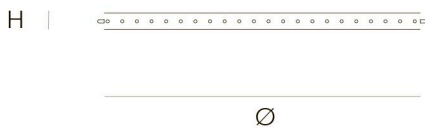
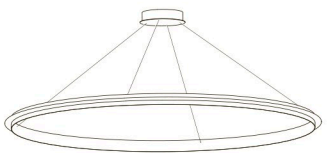
4 14 106x106x7cm

STANDARD The rings are supplied with lamps on the outside. Transparent cable and black canopy with matching cover plate with the fixture. Leading and trailing edge dimmable

OPTIONAL 3000K or 3500K led.

CITADEL SINGLE 120 by Jan Pauwels

The circle of light. Versatile rings that allow you to create the composition you like. Thanks to the freedom of number, size, distance and angle between the rings, each installation will be unique. The Citadel with these E10 LED lightbulbs has a different look and feel than the Eclipse. The easy to order single version of Citadel. During installation you can choose whether the rings will be perfectly horizontal or in a more inclined way. The suspension cables will also pass the current. Leading and trailing edge dimmable



DIMENSIONS

Ø 120 cm 47,2 inch
H 5 cm 2,0 inch

CANOPY

Ø 20 cm 7,9 inch
H 5 cm 2,0 inch

CABLE LENGTH

Up to 150 cm 59,1 inch

LIGHTSOURCE

75x led E10, 12V/0.33W,
2600K, 1725 LM

FINISH

Black Brass
Brass
Nickel

TYPE.NR

● 11-9003-4E
● 11-9003-2E
● 11-9003-1E



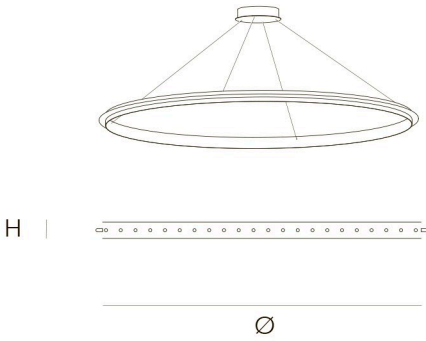
5 21 126x126x7cm

STANDARD The rings are supplied with lamps on the outside. Transparent cable and black canopy with matching cover plate with the fixture. Leading and trailing edge dimmable

OPTIONAL 3000K or 3500K led.

CITADEL SINGLE 140 by Jan Pauwels

The circle of light. Versatile rings that allow you to create the composition you like. Thanks to the freedom of number, size, distance and angle between the rings, each installation will be unique. The Citadel with these E10 LED lightbulbs has a different look and feel than the Eclipse. The easy to order single version of Citadel. During installation you can choose whether the rings will be perfectly horizontal or in a more inclined way. The suspension cables will also pass the current. Leading and trailing edge dimmable



DIMENSIONS

Ø 140 cm 55,1 inch
H 5 cm 2,0 inch

CANOPY

Ø 20 cm 7,9 inch
H 5 cm 2,0 inch

CABLE LENGTH

Up to 150 cm 59,1 inch

LIGHTSOURCE

88x led E10, 12V/0.33W,
2600K, 2024 LM

FINISH

Black Brass
Brass
Nickel

TYPE.NR

● 11-9004-4E
● 11-9004-2E
● 11-9004-1E



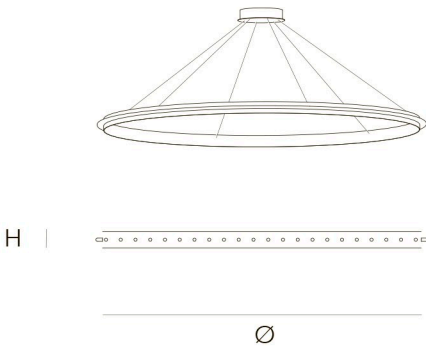
6 21 146x146x7cm

STANDARD The rings are supplied with lamps on the outside. Transparent cable and black canopy with matching cover plate with the fixture. Leading and trailing edge dimmable

OPTIONAL 3000K or 3500K led.

CITADEL SINGLE 160 by Jan Pauwels

The circle of light. Versatile rings that allow you to create the composition you like. Thanks to the freedom of number, size, distance and angle between the rings, each installation will be unique. The Citadel with these E10 LED lightbulbs has a different look and feel than the Eclipse. The easy to order single version of Citadel. During installation you can choose whether the rings will be perfectly horizontal or in a more inclined way. The suspension cables will also pass the current. Leading and trailing edge dimmable



DIMENSIONS

Ø 160 cm 63,0 inch
H 5 cm 2,0 inch

CANOPY

Ø 25 cm 9,8 inch
H 5 cm 2,0 inch

CABLE LENGTH

Up to 150 cm 59,1 inch

LIGHTSOURCE

100x led E10, 12V/0.33W,
2600K, 2300 LM

FINISH

Black Brass
Brass
Nickel

TYPE.NR

● 11-9005-4E
● 11-9005-2E
● 11-9005-1E



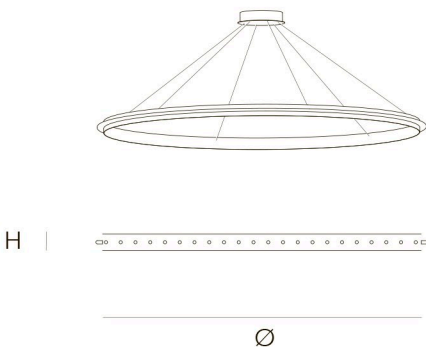
7 25 166x166x7cm
2,5 3 34x34x17cm

STANDARD The rings are supplied with lamps on the outside. Transparent cable and black canopy with matching cover plate with the fixture. Leading and trailing edge dimmable

OPTIONAL 3000K or 3500K led.

CITADEL SINGLE 180 by Jan Pauwels

The circle of light. Versatile rings that allow you to create the composition you like. Thanks to the freedom of number, size, distance and angle between the rings, each installation will be unique. The Citadel with these E10 LED lightbulbs has a different look and feel than the Eclipse. The easy to order single version of Citadel. During installation you can choose whether the rings will be perfectly horizontal or in a more inclined way. The suspension cables will also pass the current. Leading and trailing edge dimmable



DIMENSIONS

Ø 180 cm 70,9 inch
H 5 cm 2,0 inch

CANOPY

Ø 25 cm 9,8 inch
H 5 cm 2,0 inch

CABLE LENGTH

Up to 150 cm 59,1 inch

LIGHTSOURCE

113x led E10, 12V/0.33W,
2600K, 2599 LM

FINISH

Black Brass
Brass
Nickel

TYPE.NR

● 11-9006-4E
● 11-9006-2E
● 11-9006-1E



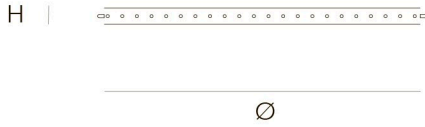
7 25 186x186x7cm
2,5 3 34x34x17cm

STANDARD The rings are supplied with lamps on the outside. Transparent cable and black canopy with matching cover plate with the fixture. Leading and trailing edge dimmable

OPTIONAL 3000K or 3500K led.

CITADEL SINGLE 200 by Jan Pauwels

The circle of light. Versatile rings that allow you to create the composition you like. Thanks to the freedom of number, size, distance and angle between the rings, each installation will be unique. The Citadel with these E10 LED lightbulbs has a different look and feel than the Eclipse. The easy to order single version of Citadel. During installation you can choose whether the rings will be perfectly horizontal or in a more inclined way. The suspension cables will also pass the current. Leading and trailing edge dimmable



DIMENSIONS

Ø 200 cm 78,7 inch
H 5 cm 2,0 inch

CANOPY

Ø 25 cm 9,8 inch
H 5 cm 2,0 inch

CABLE LENGTH

Up to 150 cm 59,1 inch

LIGHTSOURCE

126x led E10, 12V/0.33W,
2600K, 2898 LM

FINISH

Black Brass

Brass

Nickel

TYPE.NR

● 11-9007-4E

● 11-9007-2E

● 11-9007-1E



8	29	206x206x7cm
2,5	3	34x34x17cm

STANDARD The rings are supplied with lamps on the outside. Transparent cable and black canopy with matching cover plate with the fixture. Leading and trailing edge dimmable

OPTIONAL 3000K or 3500K led.